



Illustration above shows FB-TFB3s Cavity Floorbox fitted with FBP-STO300, FBP-STO301 and FBP-STO302 (plates sold separately).

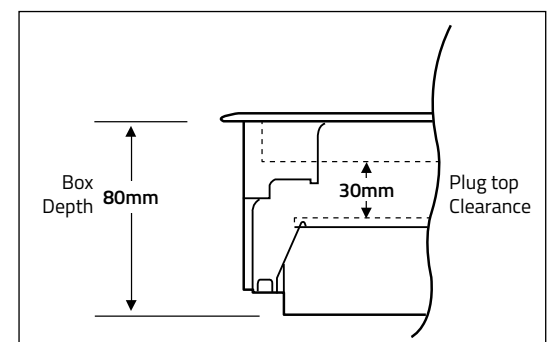
### Product Description

- Floor box manufactured from galvanised steel
- 25 & 20mm knockouts to accept flexible conduit
- Frame & lid moulded from high impact polycarbonate, colour equivalent: RAL7031
- Galvanised lid insert for strength
- Easy grip recessed lifting handle
- Compact design 266 x 212mm floor cut-out
- Clamp fixing for fast installation
- Large range of accessory plates, colour equivalent: RAL7031
- Special plates available to order
- Suitable for carpeted floors only with standard Frame & Lid
- Clean Earth Sockets available
- ABS Plastic Frame & Lid Load Test 550 KG
- Steel Frame & Lid Load Test 740 KG

### Specifications

Floor Cut Out:	266mm x 212mm
Depth:	80mm
Plug Top Clearance:	30mm
Overall Frame & Lid:	272mm x 223mm
Frame Lid Recess:	6mm
Accessory Plates:	185mm x 76mm

### Plug Top Clearance Diagram



### Frame & Lid Options for FB-TFB3s

Designed specifically for high traffic environments such as schools and colleges.

