

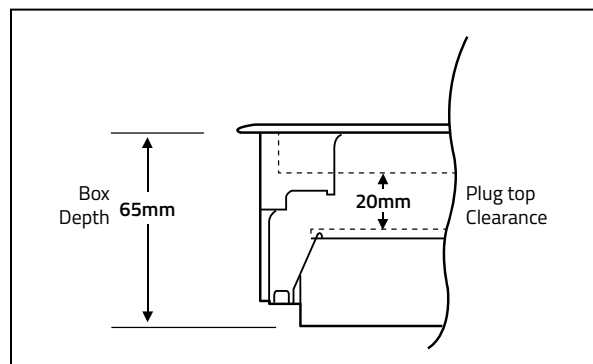
Specifications

Floor Cut Out:	266mm x 212mm
Depth:	65mm
Plug Top Clearance:	20mm
Overall Frame & Lid:	272mm x 223mm
Frame Lid Recess:	6mm
Accessory Plates:	185mm x 76mm

Product Description

- Floor box manufactured from galvanised steel
- 25 & 20mm knockouts to accept flexible conduit
- Frame & lid moulded from high impact polycarbonate, colour equivalent: RAL7031
- Galvanised lid insert for strength
- Easy grip recessed lifting handle
- Compact design 266 x 212mm floor cut-out
- Large range of accessory plates, colour equivalent: RAL7031
- Special plates available to order
- Clean Earth Sockets available
- ABS Plastic Frame & Lid Load Test 550 KG
- Steel Frame & Lid Load Test 740 KG

Plug Top Clearance Diagram



Customer Notice

The 65mm depth floor box has restrictive cabling capacity.