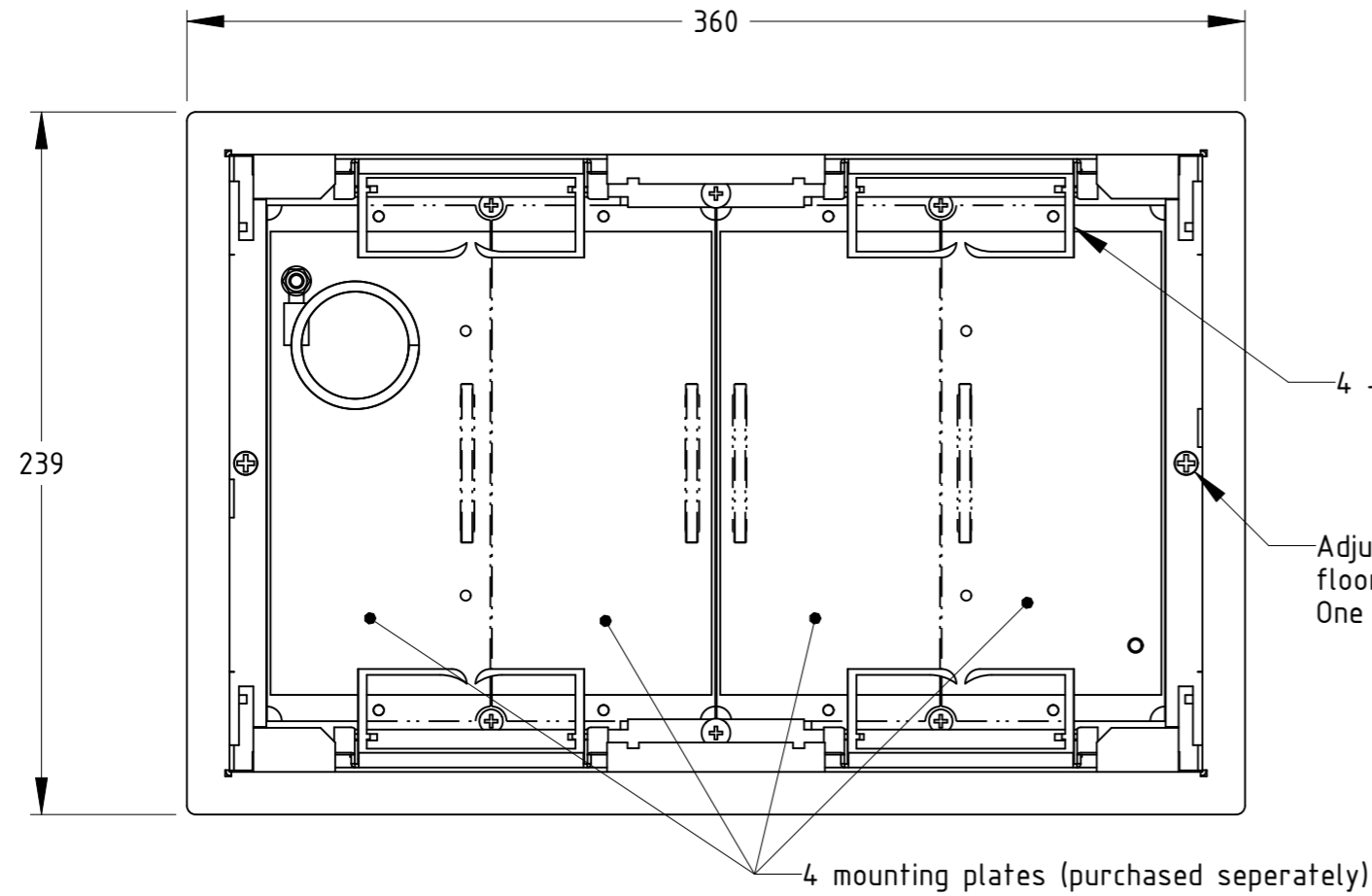


Recommended size of hole in floor:  
337 x 217 ± 1mm

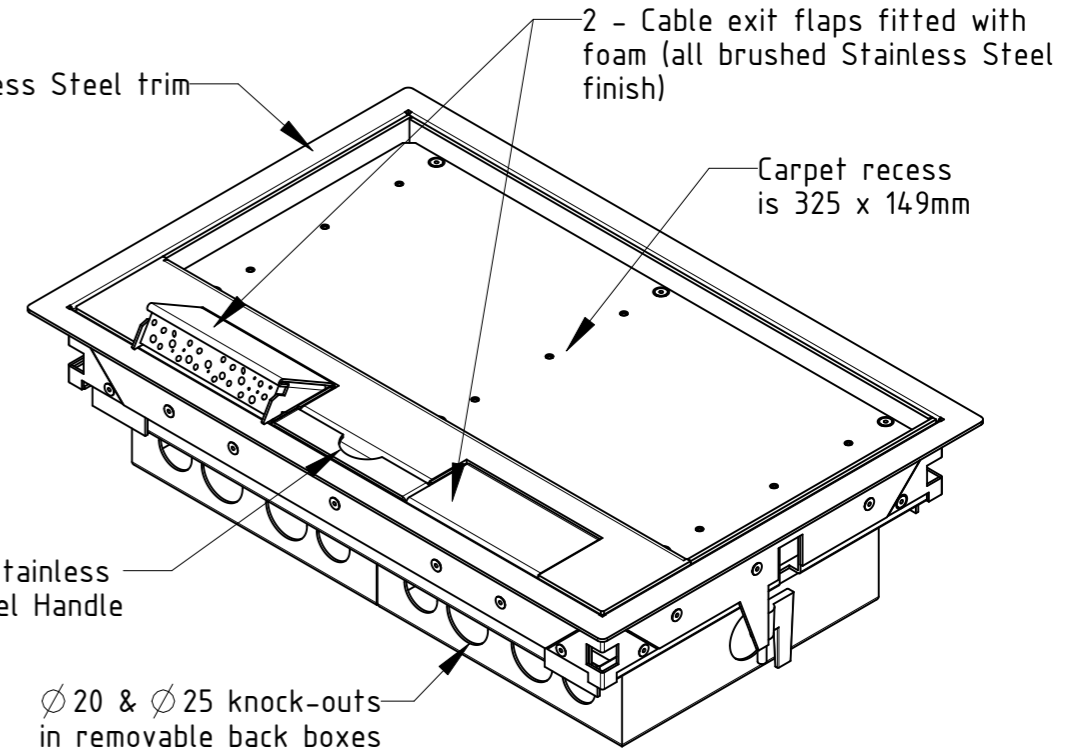


Brushed Stainless Steel trim

4 - Cable retainers

Adjustment screws for floor fixing clamps. One each end.

4 mounting plates (purchased separately)

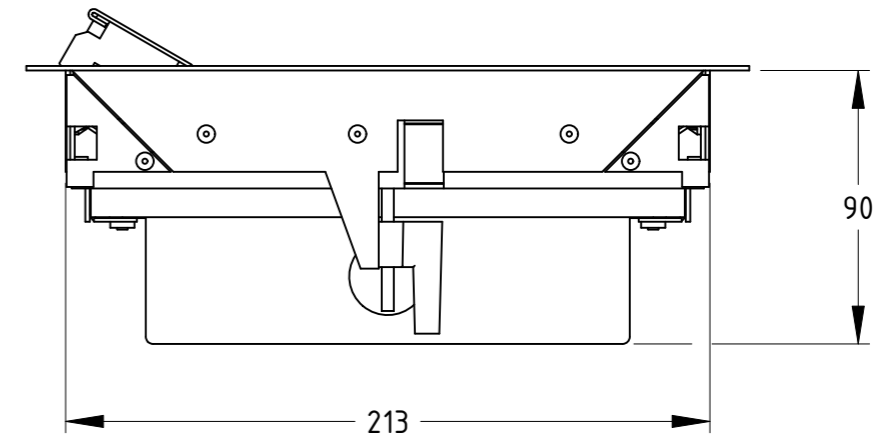
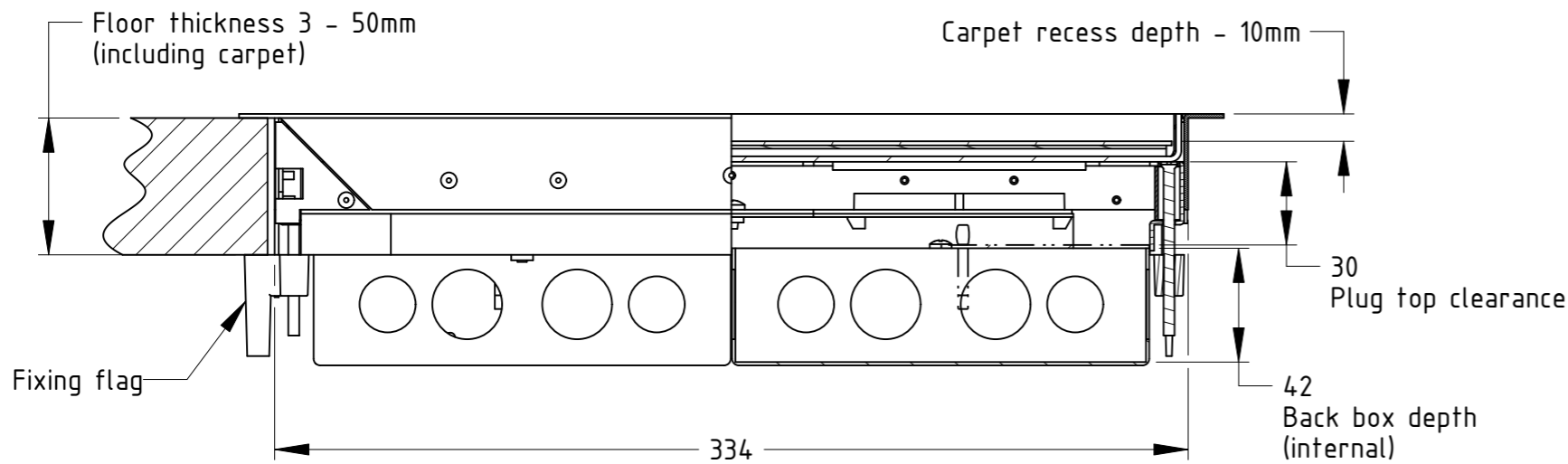


2 - Cable exit flaps fitted with foam (all brushed Stainless Steel finish)

Carpet recess is 325 x 149mm

Brushed Stainless Steel Handle

Ø 20 & Ø 25 knock-outs in removable back boxes



Iss.	Description	Drawn	Chkd	Appvd	Date	ALL DIMENSIONS ARE IN mm	TOLERANCES (unless otherwise stated): LINEAR DIMS: ±0.2mm HOLE DIMS: ±0.1mm ANGULAR DIMS: ±1.0° mm	MATERIAL	TITLE	ISSUE
A	Original drawing	SJB	SJB	SJB	20/10/21	3rd ANGLE PROJECTION <b>burland</b> <sup>®</sup> incorporating <b>electropatent international</b>	Frame, lid, flaps and handle - Stainless steel, Grade 304 Back boxes and lid reinforcement - Mild Steel Sheet, galvanised, to EN 10142 - Fe P02 G Z 275 NA	<b>GAZELLE FLOOR BOX BRUSHED STAINLESS STEEL</b>	DRAWING NUMBER <b>290-990-0012</b>	<b>A</b>
						This drawing is the property of BURLAND TECHNOLOGY SOLUTIONS and may not be reproduced or amended without written permission. ©2021 BURLAND TECHNOLOGY SOLUTIONS LIMITED				