

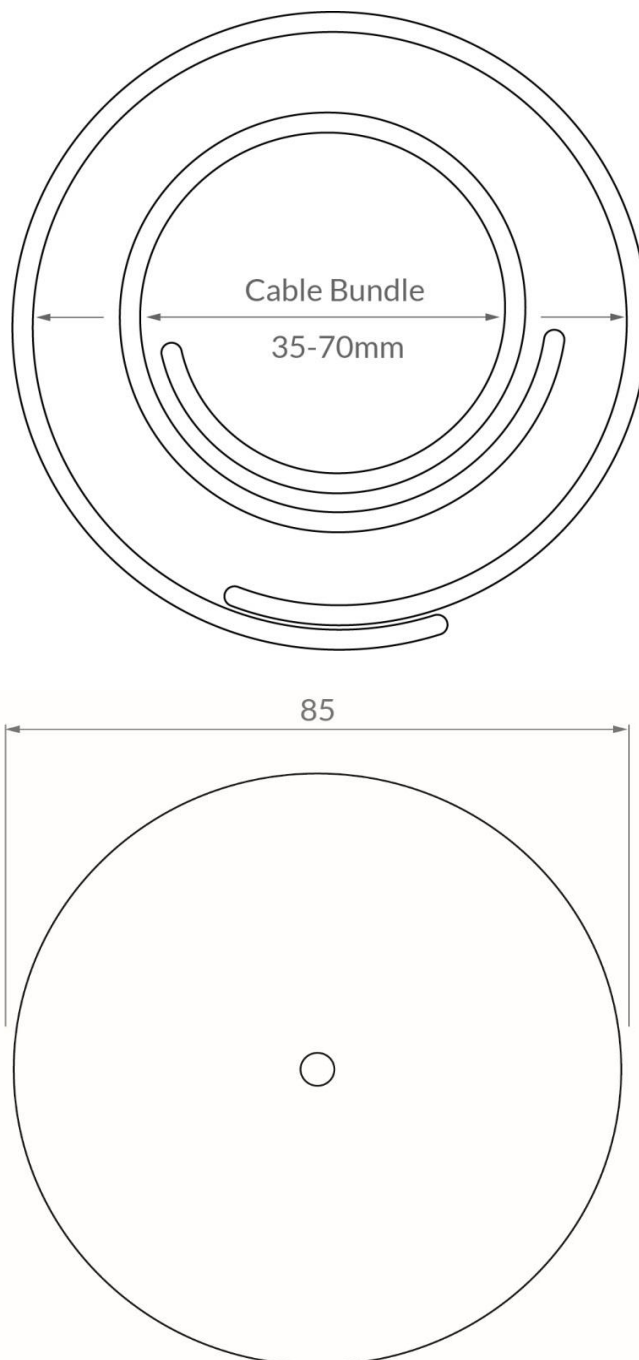
Snap Wrap Elite

AC-SNP-ELITE-750-BK



*Image for Illustrative Purposes only

Length(mm): 750
No. Snap Links: 12
No. Clips: 2
Weighted Base: Yes
Colour: Black
Attachment: Magnets/ Screw
Add-Ons: N/A



*All measurements in mm

burland[®]

thinking beyond the box ...

+44 (0) 1473 85 82 14

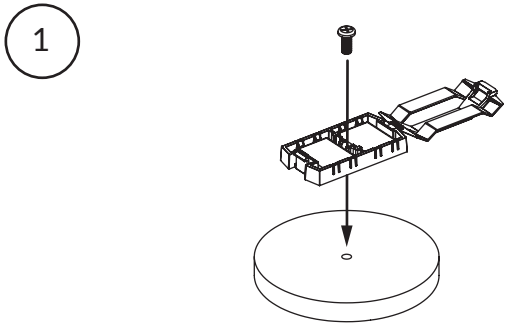
sales@burland.com

www.burland.com

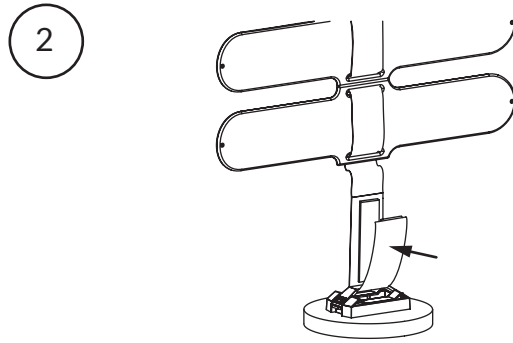
Snap Wrap Elite

O & M Manual

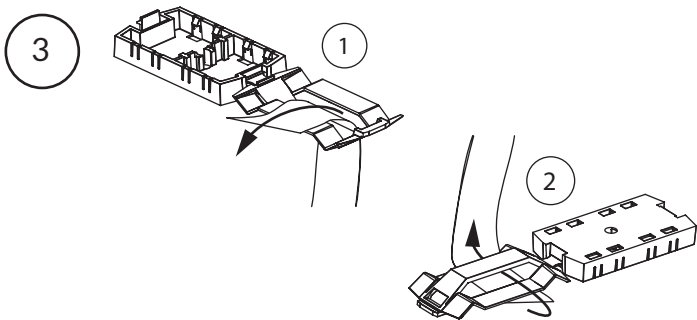
Cleaning Guidelines:
Only use non-solvent based cleaner



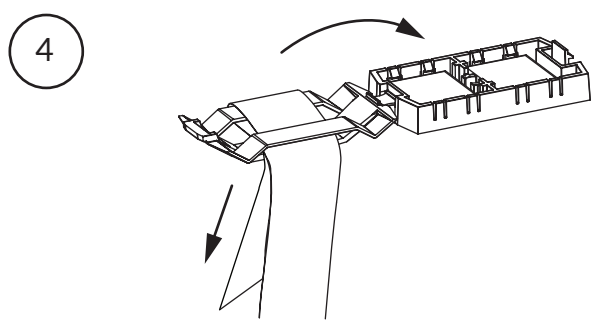
1
Attach Magnet to Base with Screws.



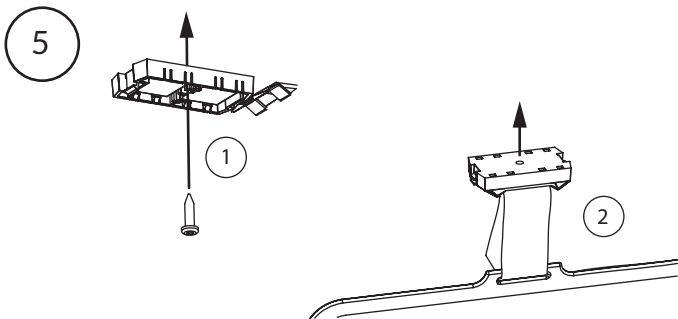
2
Attach Velcro loop through Magnet clip.



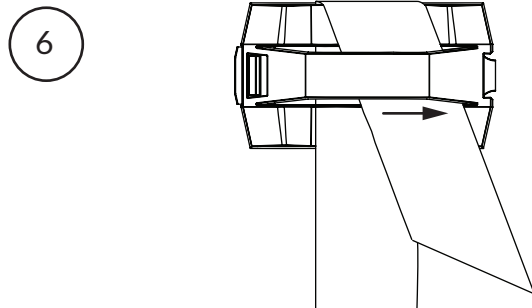
3
Weave top ribbon through magnet clip as pictured.



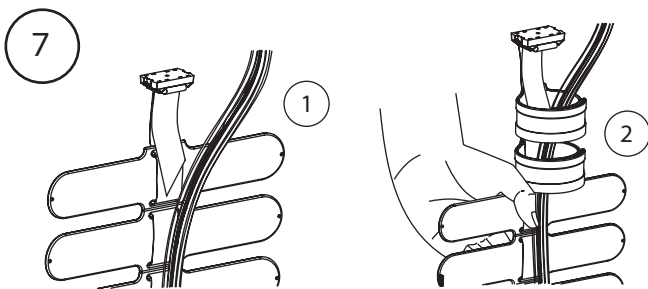
4
Pull ribbon tight. Close Magnet Clip.



5
Attach top magnet clip by either screwing to surface or attaching using magnets.



6
Pull Ribbon into notch to lock off.



7
Bundle cables together. Close each link section around the cables.

Add/ Remove Link:

Weave ribbon through link as pictured.

