

Eyelet



Colours



Manufactured in the UK, our new Eyelet in desk service module fits into a standard 80mm grommet cut out. It is supplied with UK fused sockets and is fitted with a dual USB A charge point. Simple swing out fixings firmly fix Eyelet using two screws supplied. Standard colour options are black, white and silver with custom finished including 'wet transfer' available on request.

Suitable for

- General Office
- Healthcare
- Hospitality
- Education



Many configurations available, get in touch to discuss your requirements.

Eyelet utilises eLink connecting cables.

01473 858 214 | sales@burland.com

www.burland.com

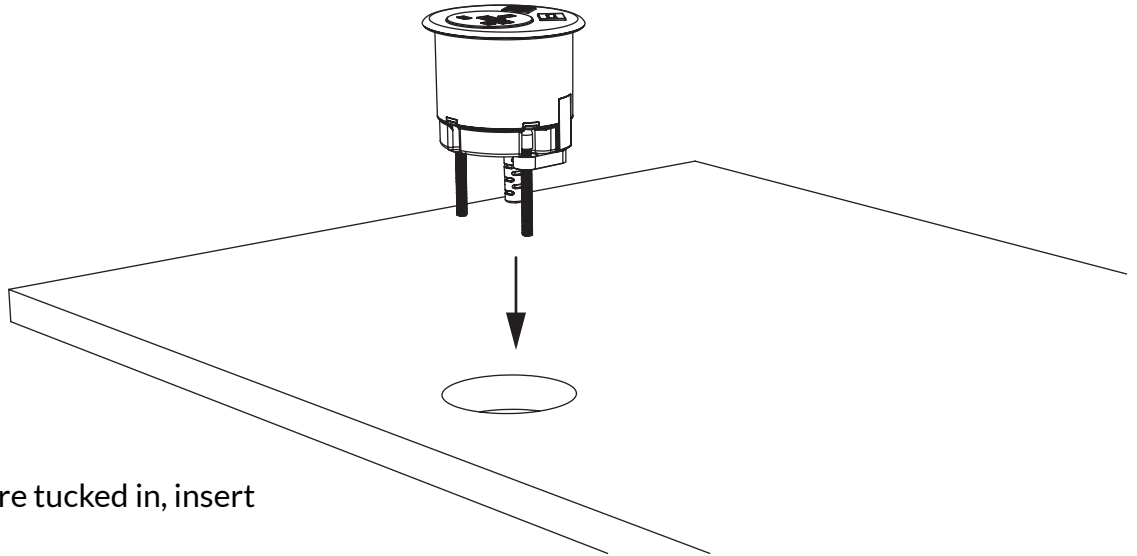
burland[®]
thinking beyond the box ...

Eyelet - Round

O & M Manual

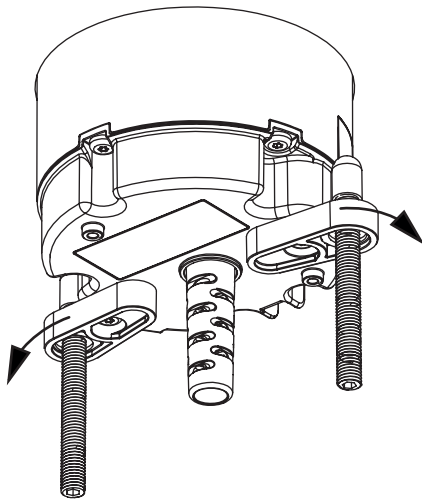
Cleaning Guidelines:
Only use non-solvent based cleaner
Do not wet power sockets

1



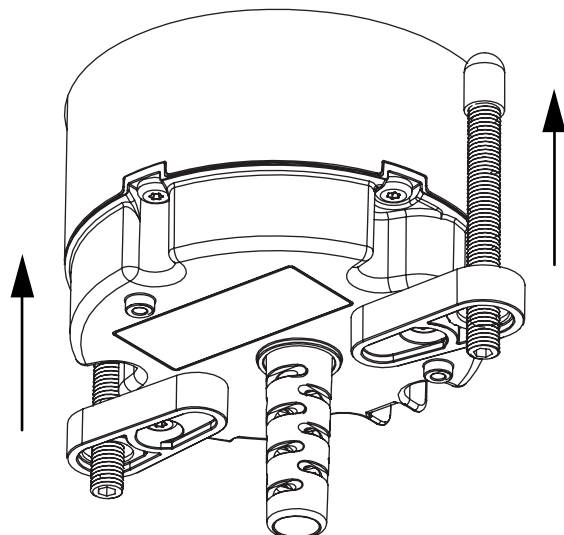
Make sure screws are tucked in, insert unit into hole.

2



Once located in hole, swivel "wings" out until they've popped into position.

3



Tighten screws up against underside of desk/table top.