

Mirage



Colours



Our latest in table power/data/AV module sits neatly in any work-surface with a minimal form factor. The Mirage is available with our world beating USB A+C charger that delivers 45Watts of uncontested USB C power.

Features

- Very low profile making it perfectly suited for: desktops, panel mounting and soft furnishings
- Easy and rapid installation using versatile swivel mounting brackets adjustable for worktop thickness from 0-45mm
- The units are configured to order by selecting: a wide range of Power, Data and AV modules, the colour of the extrusion and the colour of the socket modules.
- High power USB A-C charging at 45Watts uncontested



Many configurations available, get in touch to discuss your requirements.

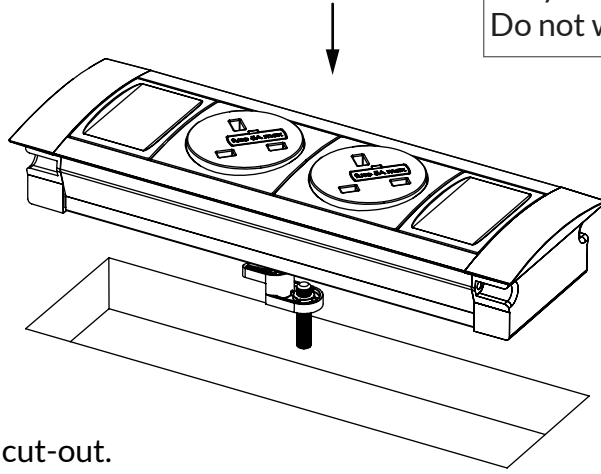
Mirage utilises eLink connecting cables.

Mirage - In Desk

O & M Manual

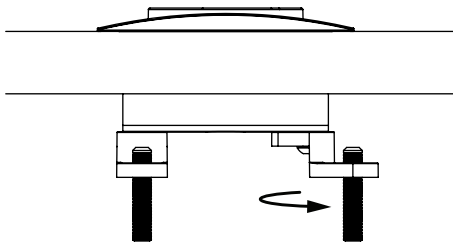
Cleaning Guidelines:
 Only use non-solvent based cleaner
 Do not wet power sockets

1



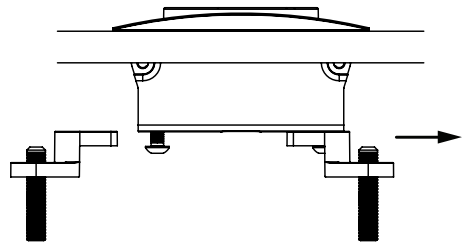
Position Mirage unit inside desk cut-out.

2A For Desktop Thickness: 15-45mm



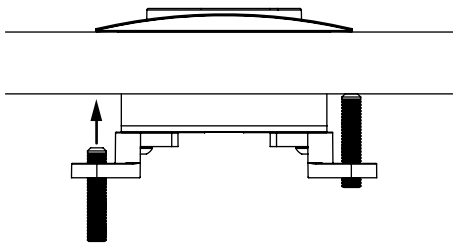
Swivel brackets out from module.

2B For Desktop Thickness: 0-15mm



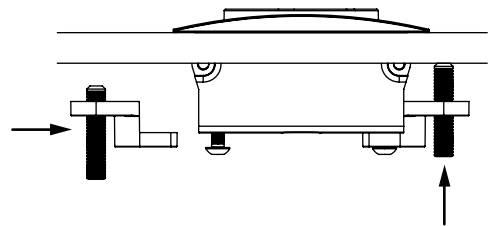
Remove brackets from module.

3A



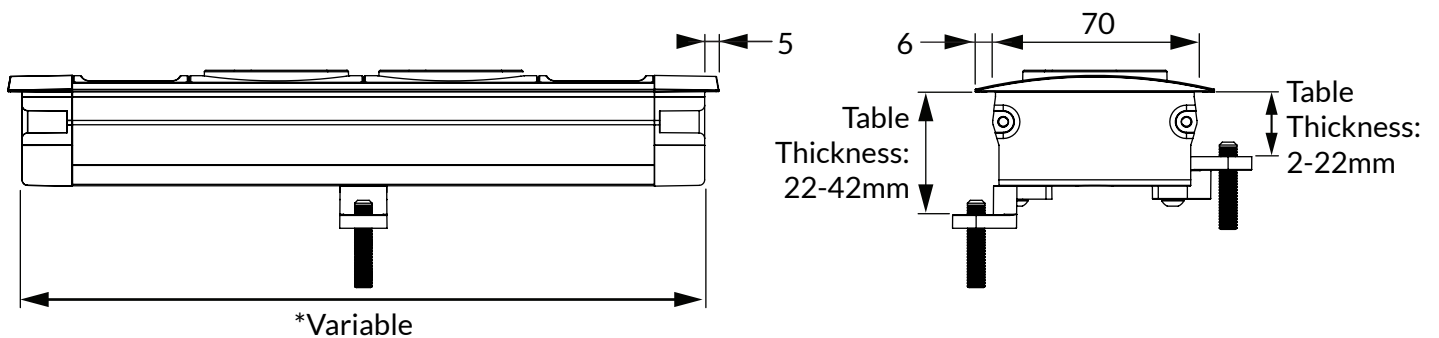
Tighten screws against table.

3B



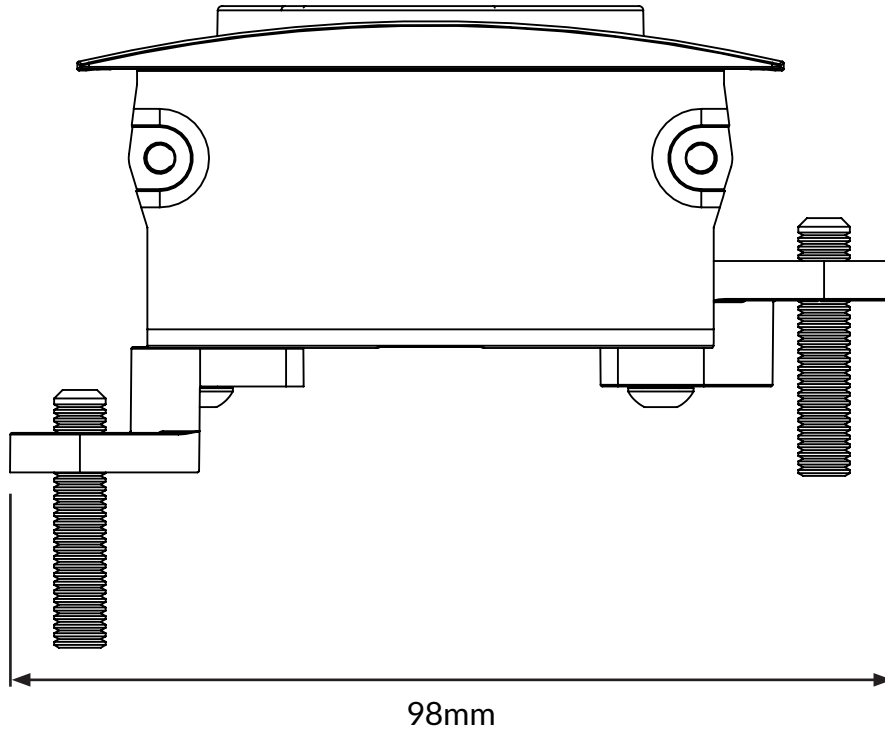
Attach brackets, tighten screws against table.

Dimensions:



Cleaning Guidelines:
Only use non-solvent based cleaner
Do not wet power sockets

Clamp Width:



Cut-out corner radius:

