


**NETBOX EB**

**Built-in Socket**  
**NETBOX EB**

**NETBOX EB** (3-gang): The power supply is provided via plug connectors, so starter- and connection cables of different lengths can be connected.

Using the plug-in connection system, reduces the amount of assembly work required significantly.

**Colours**


gr bk wh

Frame

gr bk wh

Module unit

**Mounting**


Screw



Panel thickness: max. 30 mm

**Material**





Frame: Plastic

Module unit: Plastic

**Application**

-  Office
-  Shop & Exhibition

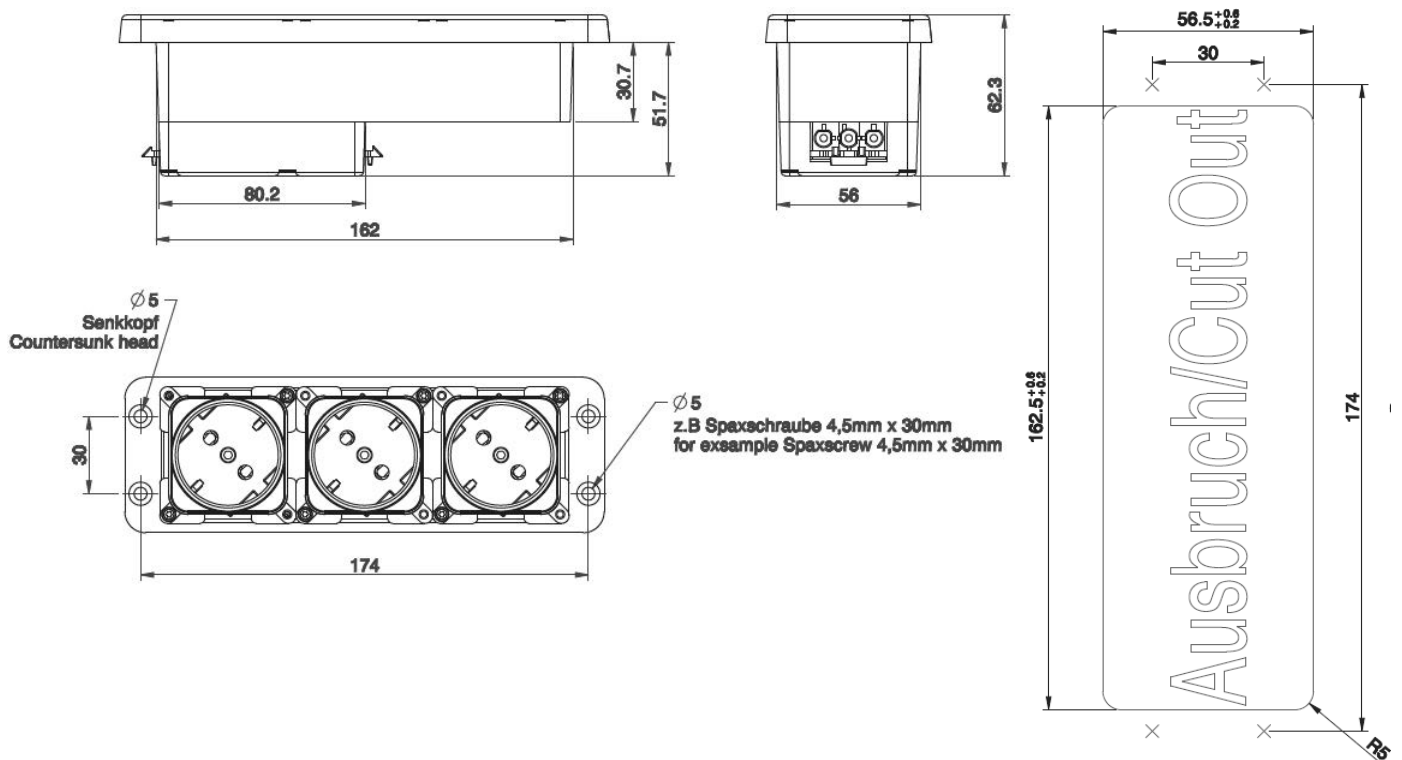
**Suitable accessories**

-  Starter cable
-  Connection cable
-  Light Terminal Box VR

**Approvals | Certificates**


All available Videos

## Dimensions



## Further information



3D data (STP) \*



Dimensions (PDF) \*



NETBOX EB



Product request



pCon.update

## Overview

	Aluminium	Plastic	Number of modules	Power modules	Data modules	Gender changer	Cover lockable	USB-charger	Cat 7-capable	Power forwarding possible (1) u. (2)
NETBOX Axial Comfort	●		2 - 6	●	●	●	●	●	●	● <sup>(2)</sup>
NETBOX Combi II	●		4	●	●	●	●	●	●	● <sup>(1)</sup>
NETBOX Entry	Steel		4 o. 6	●	●	●	●	●	●	
NETBOX MEB		●	2 - 4	●	●	●		●	●	●
NETBOX Spot		●	1	●	Spot Data	Spot Data		●		
NETBOX Style	●		2 - 6	●	●	●		●	●	●
NETBOX Turn Comfort	●		2 - 6	●	●		●	●	●	● <sup>(2)</sup>

(1) Power forwarding is only possible if NO gender changer, USB, VGA, network or HDMI cables are fitted.

(2) Power forwarding is only possible if NO gender changer, USB or HDMI cables are fitted.

A. & H. MEYER GmbH  
Leuchten und Büroelektrik  
Fermke 8  
32694 Dörentrup  
Germany

tel: +49 5265 9488-0  
fax: +49 5265 9488-11  
info@ah-meyer.de

\* on request



Follow us: