

NETBOX LINE

IN-DESK UNITS



burland[®]
Incorporating **electropatent**

Burland Technology Solutions
2 Delphus, Orion Court
Great Blakenham, Ipswich
Suffolk, IP6 0LW

sales@burland.com
+44 (0)1473 858 214
www.burland.com




NETBOX Line

**Built-in Socket
NETBOX Line**

Optimum access to power, data and communication connections - elegantly solved with the **NETBOX Line**.

The high-quality aluminium profile impresses with its harmonious design and fits elegantly into a wide variety of furniture concepts.

The slightly raised design protects the modules and connections from liquids.

Colours


sil **bk** ^{*} wh ^{*}

Housing

bk

Module unit

Mounting


Latching mechanism

Panel thickness: 10-40 mm

Material


Housing:
Aluminium / Plastic

Module unit: Plastic

Application





 Office

 Hotel & Lounge

 Conference

Approvals | Certificates

Suitable accessories

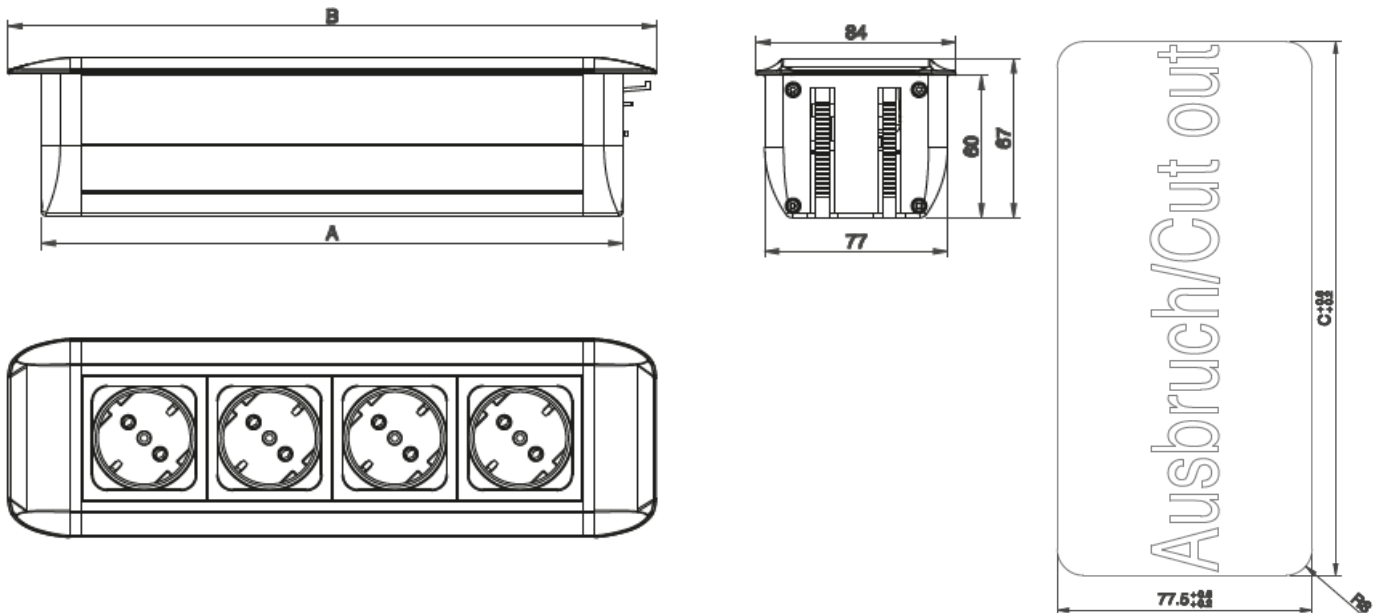
-  Cable snake®
-  Velcro fabric tube
-  Monitor mount
-  LapGuard



All available
Videos

*Special colours

Dimensions



Art.No.	2H_2...	2H_3...	2H_4...	2H_5...	2H_6...	2H_7...	2H_8...	2H_9...	2H_A...
M	2	3	4	5	6	7	8	9	10
A	140	193	246	299	352	405	458	511	564
B	168,2	221,2	274,2	327,2	380,2	433,2	486,2	539,2	592,2
C	140,5	193,5	246,5	299,5	352,5	405,5	458,5	511,5	564,5

= Product code
 = Quantity of outlet modules
 = Total length
 = Total length with mount
 = Length of cut out

Further information



3D data (STP) *



Dimensions (PDF) *



NETBOX Line



Product request



pCon.update

Overview

	Aluminium	Plastic	Number of modules	Power modules	Data modules	Gender changer	Cover lockable	USB-charger	Cat 7-capable	Power forwarding possible (1) u. (2)
NETBOX Axial Comfort	●		2 - 6	●	●	●	●	●	●	● ⁽²⁾
NETBOX Combi II		●	4	●	●	●	●	●	●	● ⁽¹⁾
NETBOX Entry	Steel		4 o. 6	●	●	●	●	●	●	
NETBOX MEB		●	2 - 4	●	●	●		●	●	●
NETBOX Spot		●	1	●	Spot Data	Spot Data		●		
NETBOX Style	●		2 - 6	●	●	●		●	●	●
NETBOX Turn Comfort	●		2 - 6	●	●		●	●	●	● ⁽²⁾

(1) Power forwarding is only possible if NO gender changer, USB, VGA, network or HDMI cables are fitted.

(2) Power forwarding is only possible if NO gender changer, USB or HDMI cables are fitted.

A. & H. MEYER GmbH
 Leuchten und Büroelektrik
 Fermke 8
 32694 Dörentrup
 Germany

tel: +49 5265 9488-0
 fax: +49 5265 9488-11
 info@ah-meyer.de

* on request



Follow us: